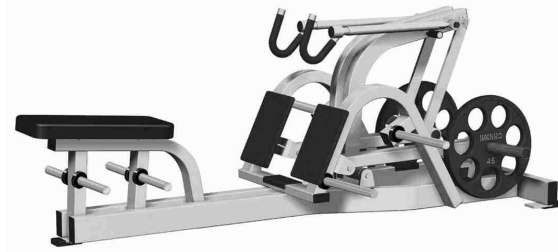


# NAUTILUS XPLOAD



COMPOUND ROW



SEATED CALF



OVERHEAD PRESS



LAT PULLDOWN



INCLINE PRESS



VERTICAL CHEST



LEG PRESS



BICEP CURL



DEAD LIFT / SHRUG



INCLINE LEG PRESS



TRICEP EXTENSION



FOUR WAY NECK



SEATED DIP



LEG CURL PRONE



LEG EXTENSION

# NAUTILUS XPLOAD PARTS DIAGRAM

## LEG PRESS

19-5221

REVISED:  
October 20, 2008

PARTS AND SERVICE ☎ 709 Powerhouse Road ☎ Independence, VA 24348  
800-235-2233 • Fax: 276-773-2298

SERIAL # \_\_\_\_\_  
through \_\_\_\_\_

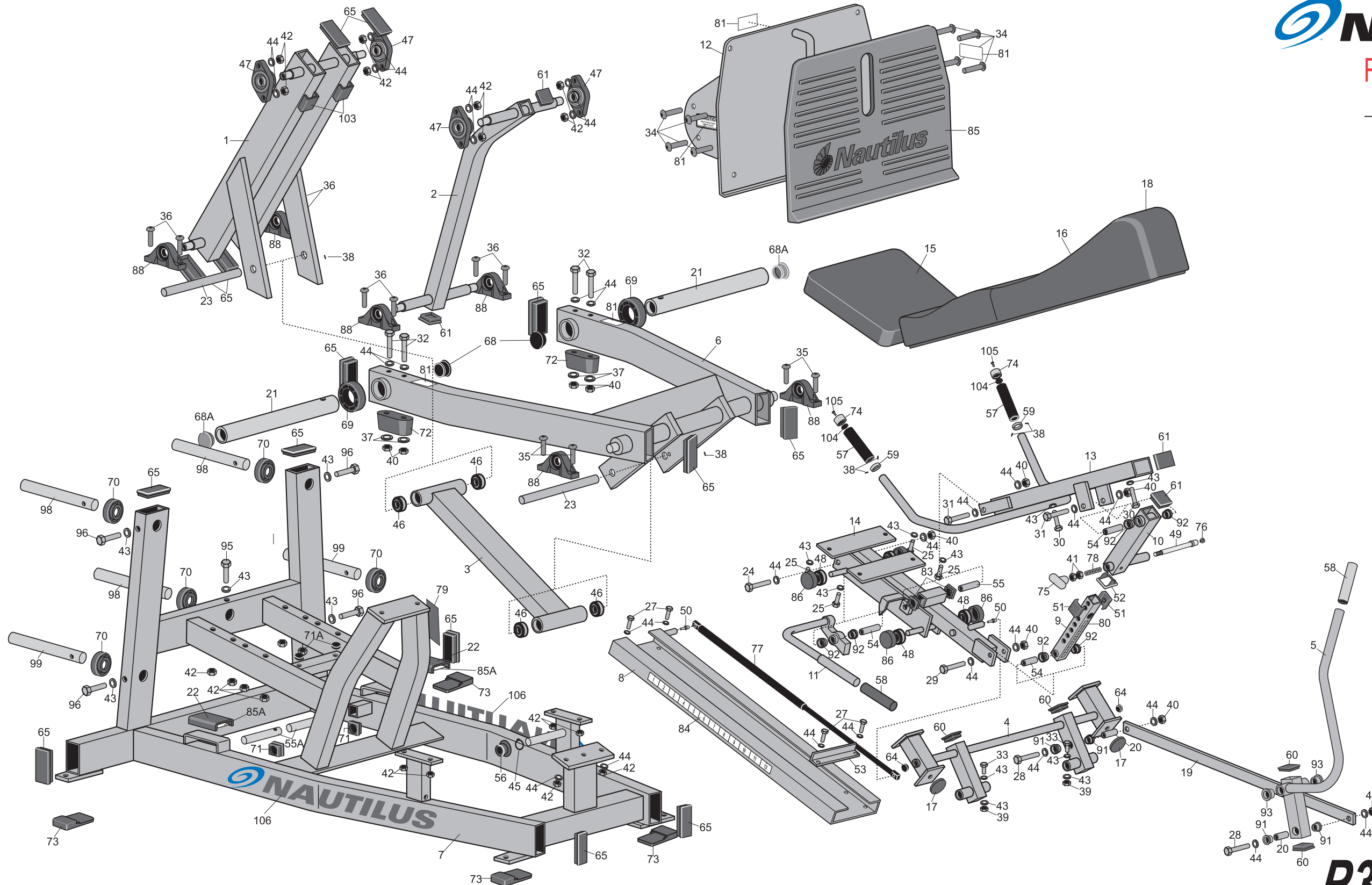
### P3LP P3 LEG PRESS

COMP#	COMPONENT DESCRIPTION
1.....LK330.....	P3 LEG PRESS LINKAGE
2.....LK331.....	P3 LEG PRESS LINKAGE (GUIDE LINK)
3.....LK332.....	P3 LEG PRESS LINKAGE (CONNECTING LINK)
4.....LK333.....	P3 LEG PRESS LINKAGE (STOP ASSEMBLY)
5.....LK334.....	P3 LEG PRESS LINKAGE (STOP HANDLE)
6.....MA331.....	P3 LEG PRESS MOVEMENT ARM (WEIGHT DRIVE)
7.....SF326.....	P3 LEG PRESS SEATFRAME (BASEFRAME)
8.....SF328.....	P3 LEG PRESS SEATFRAME (SEAT TRACK)
9.....AB601.....	SEAT SLIDE ASSEMBLY
10.....AB600.....	ADJUSTABLE BACK ASSEMBLY
11.....LK611.....	LINKAGE ASSEMBLY (SEAT ADJUSTMENT LINK)
12.....MA615.....	MOVEMENT ARM ASSEMBLY (LEG PRESS FOOT PLATE)
13.....SB600.....	SEAT BACK ASSEMBLY
14.....SE326.....	P3 LP SEAT BOTTOM ASSEMBLY
15.....UP9210.....	PAD SEAT
16.....UP9931.....	PAD NEW SEAT BACK PAD
17.....09-5030.....	ROUND RUBBER FOOTPAD
18.....UP726.....	SLIPCOVER
19.....07-9627.....	P3LP STOP LINK 1/2 X 1 1/4 CRF X 38" LONG
20.....07-9630.....	CONNECTING LINK SPACER 3/4 OD X .120W X 1 11/16" L
21.....07-9663.....	WEIGHT TUBE
22.....09-9651.....	PVC CHANNEL 1/4 X 2 1/2 X 4" L
23.....07-9664.....	AXLE 3/4 DIA CR ROUND X 10 1/4" LONG
24.....01-0011.....	1/2 X 3 HH5 BOLT
25.....01-1090.....	BOLT HH5 3/8 X 1-1/4
26.....01-1261.....	BOLT HH5 1/2 X 1
27.....01-1271.....	BOLT HH5 1/2 X 1 1/4
28.....01-1331.....	BOLT HH5 1/2 X 2 3/4
29.....01-1351.....	BOLT HH5 1/2 X 3 1/4
30.....01-1550.....	BOLT HH5 3/8 X 3
31.....01-1564.....	1/2 X 4 1/2 HH5 BOLT
32.....01-1566.....	BOLT HH5 1/2 X 5 1/2
33.....01-1549.....	BOLT HH5 3/8 X 1 3/4
34.....01-4040.....	BOLT 1/2 X 1-1/4 BUTTON HEAD BLACK
35.....01-4041.....	BOLT 1/2 X 1-1/2 BUTTON HEAD BLACK
36.....01-4045.....	BOLT 1/2 X 4 BUTTON HEAD BLACK
37.....01-5207.....	1/2 SAE FLAT WASHER
38.....02-3055.....	1/4-28 X 1/4 SET SCREW
39.....03-1035.....	NUT FLANGE 3/8-16
40.....03-1055.....	NUT FLANGE 1/2-13
41.....03-4142.....	NUT JAM 5/16 BLACK
42.....03-9075.....	1/2-13 THIN LOCKING JAM NUT BLACK
43.....04-3020.....	3/8 INT LOK WASHER
44.....04-5214.....	1/2 INT LOK WASHER
45.....06-8230.....	1" SNAP RING
46.....07-1100.....	BEARING ROLLER 7512 GENERAL .750 ID X 1.750 OD X .750 L
47.....07-4005.....	1" FLANGE BEARINGS, (PLASTIC)
48.....07-5065.....	203 PP BEARINGS 17MM
49.....07-8291.....	PIN SELECTOR 1/2 DIA X 7 9/16 L ZINC PLATED
50.....07-9170.....	5/16 X 10mm BALL STUD

COMP#	COMPONENT DESCRIPTION
51.....07-9276.....	END SLIDES
52.....07-9277.....	TUBE PLUG / SLIDE
53.....07-9379.....	1/4 X 1 1/4 X 1 1/4 ANGLE STOP 7 3/8" LONG
54.....07-9420.....	PIVOT SPACER 3/4 X 11 GA TUBE 1 63/64" LONG
55.....07-9421.....	PIVOT SPACER 3/4 X 11 GA TUBE 2 63/64" LONG
55A.....07-9636.....	PIVOT 1" CRR, 7 1/2" LONG
56.....08-2056.....	MOLDED MA SHAFT SPACERS
57.....09-1006.....	GRIP HAND 1 X 4 1/2 OPEN END
58.....09-1021.....	HAND GRIP 1-1/8 X 5" YELLOW CLOSED END (ADJ. HANDLE)
59.....09-9535.....	GRIP RING (FOR 1" DIA BAR)
60.....09-2040.....	1 1/2 X 2 FRAME PLUG
61.....09-2070.....	2" SQ. X 11 GA. HOLE PLUG
62.....09-2070.....	2" SQ. FRAME PLUG
63.....09-2090.....	2 X 3 FRAME PLUG
64.....09-3020.....	3/4 DIA HOLE PLUG
65.....09-3055.....	2 X 4 FRAME PLUG
66.....09-3063.....	7/16" DIA HOLE PLUGS (WHITE)
67.....09-3065.....	9/16" DIA HOLE PLUGS (WHITE)
68.....09-3090.....	HOLE PLUG
68A.....09-3091.....	HOLE PLUG (YELLOW)
69.....09-4064.....	WEIGHT STORAGE, 1.875 ID X 3/4 X 3" OD RUBBER
70.....09-4066.....	STORAGE BUMPER, 1.25 ID X 3/4 X 3" OD
71.....09-4072.....	BEARING BLOCKS 1" ID.
71A.....09-4092.....	BUMPER PEDAL RETURN
72.....09-5010.....	DOCK BUMPER
73.....09-5045.....	FOOTPAD RECT (NEW)
74.....09-9505.....	GRIP CAP (FOR 1" DIA BAR)
75.....09-8135.....	T-KNOB YELLOW
76.....09-8146.....	SELECTOR PIN TIP
77.....10-4020.....	DAMPER, 480mm STROKE X 575mm X 1055mm
78.....10-3070.....	SPRING FL .042 X 1/2 OD X 4
79.....12-5346.....	INSTRUCTIONAL PLACARD P3LP
80.....12-1004.....	DECAL SEAT 1" INCREMENTS 10 TOP-1 BOTTOM BLACK
81.....12-1026.....	KEEP HANDS AWAY (YELLOW)
82.....12-1380.....	INSPECTION STICKER DECAL
83.....109-4077.....	3/4" BEARING BLOCKS
84.....12-1298.....	LEG PRESS SEAT DECAL
85.....14-6087.....	MOLDED URETHANE FOOTBOARD
85A.....19-1014.....	TAPE DOUBLE SIDE 2" (2 PCS X 10" L)
86.....19-1235.....	NYLON SEAT ROLLERS
87.....19-1291.....	DECAL SERIAL # BAR CODE
88.....19-1575.....	1" PILLOW BLOCK BEARINGS
89.....19-5221.....	PARTS DIAGRAM "P3" LEG PRESS
90.....40-7167.....	BAG 50 X 46 X 86 X .002 THICK
91.....45-1051.....	IGUS 3/4 ID X 7/8 OD X 1/2 L
92.....45-1052.....	IGUS 3/4 ID X 7/8 OD X 3/4 L
93.....45-1062.....	IGUS 1 ID X 1 1/8 OD X 3/4 L
94.....91-999.....	PAINT POWDER
<b>OPTIONAL WEIGHT STORAGE KIT OPT-WT-BAR03</b>	
95.....01-1110.....	BOLT HH5 3/8 X 1 3/4
96.....01-1130.....	BOLT HH5 3/8 X 2 1/4
97.....04-5213.....	3/8 INT LOK WASHER
98.....07-9682.....	WEIGHT STORAGE PIN 1 1/4 DIA CR X 11 5/8" LONG
99.....07-9644.....	WEIGHT STORAGE PIN 1 1/4 DIA CR X 14 3/4" LONG
100.....OMIT.....	
101.....OMIT.....	
102.....OMIT.....	
103.....09-4071.....	PVC CHANNEL 1/4 X 2 1/2 X 2 1/2 LONG
104.....09-9590.....	TUBE INSERT
105.....02-2290.....	1/4 X 1 1/4 AFH SCREW
106.....12-1185.....	SWIRL NAUTILUS LOGO



RED: PAINTED ITEMS  
 \_\_\_\_\_ Trolleys / Machine



66 09-3063 7/16" DIA HOLE PLUGS  
 67 09-3066 9/16" DIA HOLE PLUGS  
 (USED WITHOUT WEIGHT STORAGE PIN KIT.)

*Last Rev Date: 10/20/08*

**P3LP  
 LEG PRESS  
 Nautilus Parts Diagram**