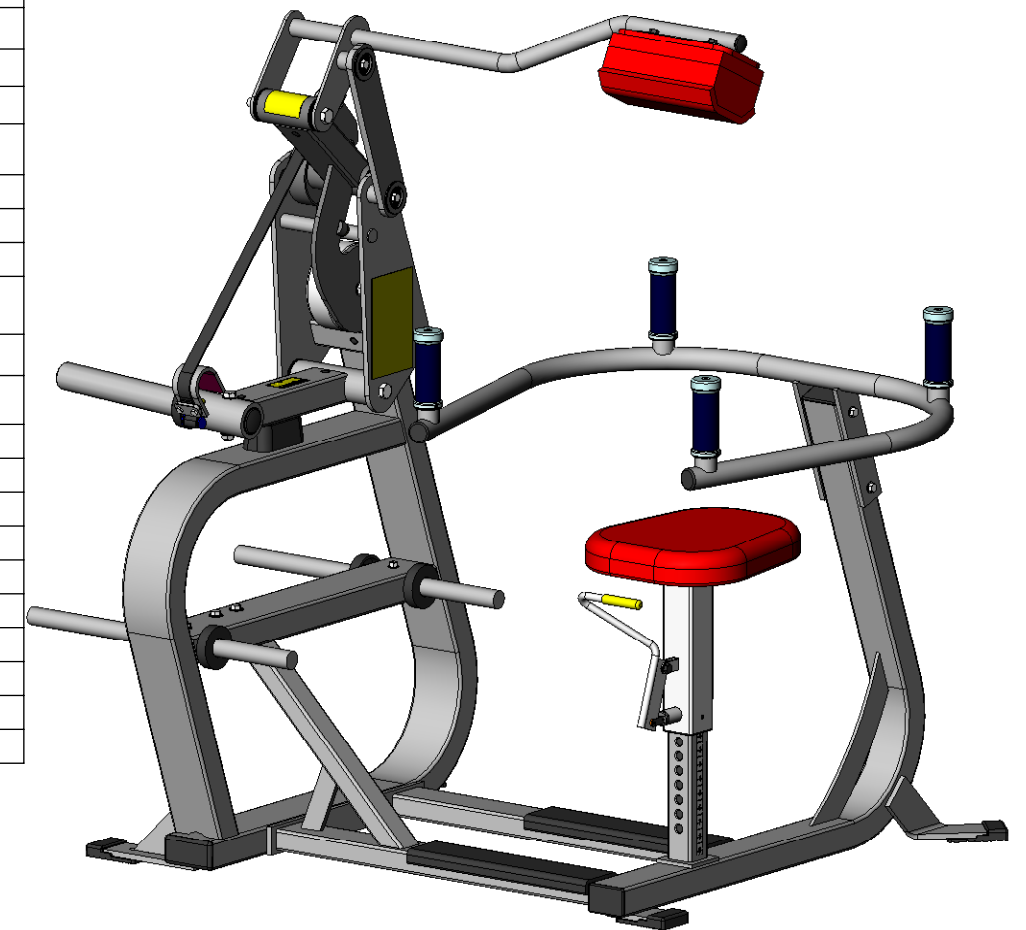


ITEM	PART NO.	p3fwn-with wtstorage/QTY.	DESCRIPTION
1	01-0011	1	1/2 -13 UNC x 3 Bolt
2	01-1105	2	3/8 -16 UNC x 1 1/2 Bolt
3	01-1151	2	3/8 -16 UNC x 2 3/4 Bolt
4	01-1351	2	1/2 -13 UNC x 3 1/4 Bolt
5	01-1402	1	1/2 -13 UNC x 2 1/4 Bolt
6	01-1548	2	3/8 -16 UNC x 3/4 Wiz Lock Bolt
7	01-1554	2	3/8 -16 UNC x 5 Bolt
8	01-2283	2	5/8-11 UNC x 8 5/8 Bolt - Cutoff
9	01-2286	1	5/8-11 UNC x 6 3/8 Bolt - Cutoff
10	01-4030	4	1/4 -20 UNC x 1 Wiz Lock Bolt
11	02-2290	4	1/4 -20 UNC x 1 1/4" LENGTH FLAT HEAD SOCKET CAP SCREW SS
12	02-4129	8	SCREW, SET, 1/4 -20 UNC x 1/4
13	02-9074	2	3/8 -16 UNC x 4 1/4 Bolt
14	02-9220	5	3/8 -16 UNC x 1 1/4 Bolt
15	03-1035	7	3/8" Lock Nut
16	03-1055	4	1/2" Lock Nut
17	03-1067	3	5/8" Lock Nut
18	03-4035	2	1/4-20 INSERT 11/16" LONG
19	03-4290	2	1/4" Whiz Nut
20	04-5207	2	WASHER, FLAT, 1/2" SAE
21	04-5213	13	3/8" Internal Loc Washer
22	04-5214	7	1/2" Internal Loc Washer
23	05-5119	2	.375 ID Bushing (IGUS Replacement)
24	06-2010	1	CONNECTIN LINK RF2040
25	06-3070	1	CBR #12 DONUT
26	06-8166	2	Snap Ring, 1 7/8" External
27	07-4126	1	PLUNGER ASSEMBLY
28	07-8982	2	STRAP CLAMP END (5/16 HOLES)
29	07-9286	1	SLIDE CAP FOR 2" TUBE
30	07-9287	2	SLIDE END FOR 2" TUBE
31	07-9605	2	BEARING SLEEVE
32	07-9607	8	MOLDED BEARING CUP
33	07-9625	1	WEIGHT TUBE
34	07-9684	2	LONG WT STORAGE PIN
35	07-9771	6	IDLER PULLEY SPACER
36	07-9775	1	BEARING SLEEVE
37	07-9911	1	LINKAGE LB
38	07-9941	1	COUNTERWEIGHT
39	08-2053	3	Movement Arm Hub Spacer
40	09-1004	1	.500 ID X 3" CLOSED END
41	09-1101	4	HAND GRIP 1 1/2" ID X 4" LONG
42	09-2090	2	2 X 3 X 11 GA FRAME PLUG
43	09-3050	2	HOLE PLUG 1 1/2 DIA
44	09-3055	1	2 X 4 11 GA FRAME PLUG

ITEM	PART NO.	p3fwn-with wtstorage/QTY.	DESCRIPTION
45	09-3063	4	7/16" DIA HOLE PLUG
46	09-3064	10	1/2" DIA HOLE PLUG
47	09-3066	5	1 1/4" DIA HOLE PLUG, White
48	09-3078	1	BLACK HOLE PLUG MP-1093
49	09-3084	2	HOLE PLUG 1.25 OD X 1.0 ID X .75
50	09-3090	1	HOLE PLUG 1 3/4 OD X 1 3/8 ID X .5 LONG
51	09-3091	1	HOLE PLUG 1 3/4 OD X 1 3/8 ID X .5 LONG
52	09-4064	1	1 7/8 ID X 3/4 X 3 RUBBER BUMPER
53	09-4066	4	BUMPER 1 1/4 ID
54	09-4092	2	BUMPER
55	09-5010	1	BUMPER DOCK 2 1/4" X 2" X 4"
56	09-5045	4	NITRO SERIES MOLDED FOOTPAD
57	09-8000	2	Belt Keeper
58	09-9169	2	VINYL CHANNEL FOOT GUARD
59	09-9520	4	GRIP CAP 1.530 ID (FOR 1 1/2 BAR)
60	09-9550	4	GRIP RING 1.530 ID (FOR 1 1/2" BAR)
61	09-9610	4	TUBE INSERT 1.260 ID PN3041-4-1
62	12-1026	1	KEEP HANDS AWAY (YELLOW)
63	12-1026	2	KEEP HANDS AWAY
64	12-1104	1	SEAT ADJUSTMENT DECAL 1-11
65	12-5315	1	P3FWN INSTRUCTIONAL PLACARD
66	18-0000 (33")	1	MECTROL BELT 1" (33")
67	BF327	1	WEIGHT FRAME ASSEMBLY
68	HB327	1	SEAT ADJUSTMENT HANDLE
69	HB331	1	HANDLEBAR P3FWN
70	MA344	1	MOVEMENT ARM ASSEMBLY
71	MA345	1	MOVEMENT ARM PIVOT
72	SE327	1	P3SD ADJUSTABLE SEAT
73	SF330	1	SEAT FRAME P3FWN
74	UP8080	1	TAPERED SEAT PAD
75	UP8550	1	P3FWN HEAD PAD
76	WA339	1	WEIGHT ARM P3FWN

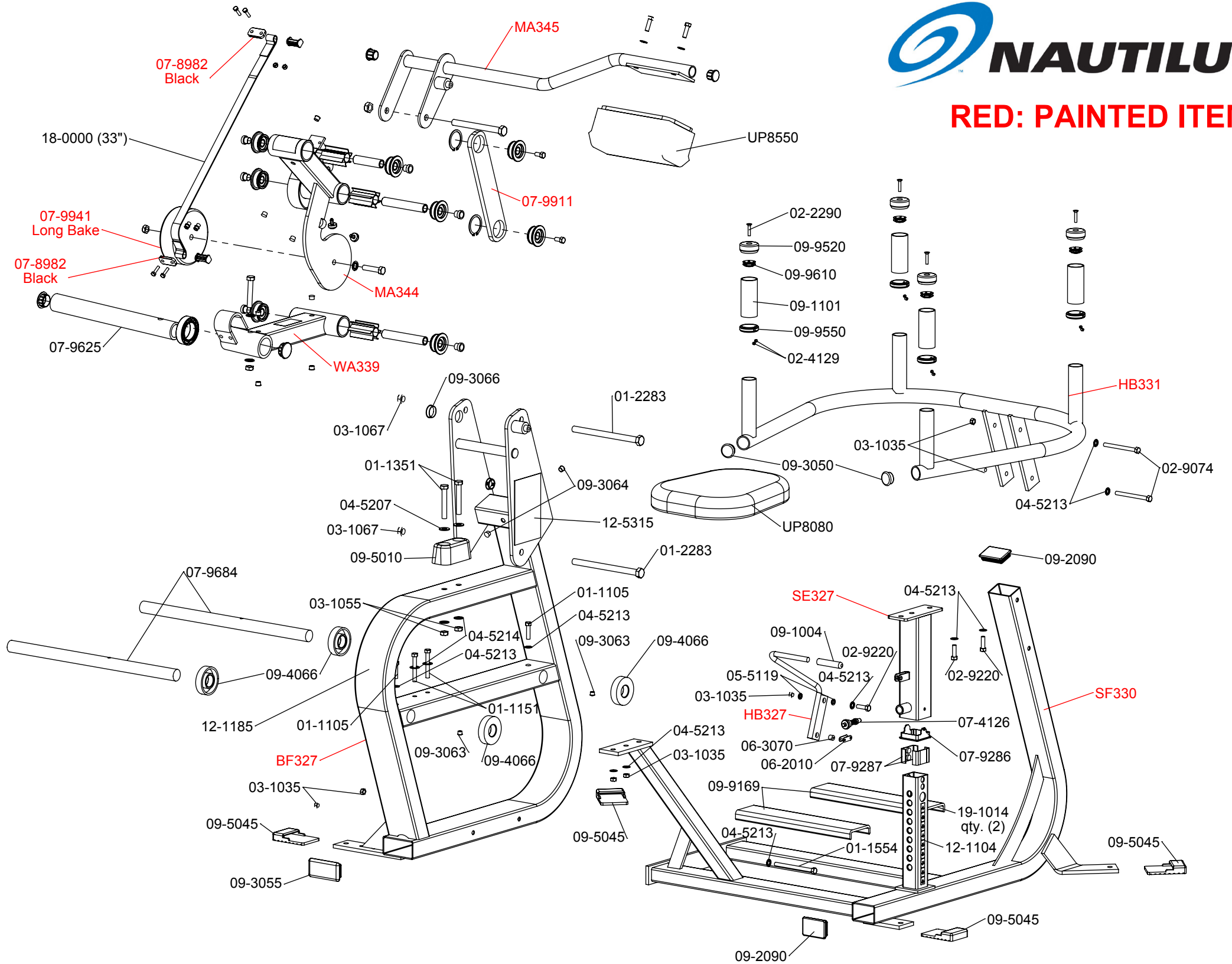
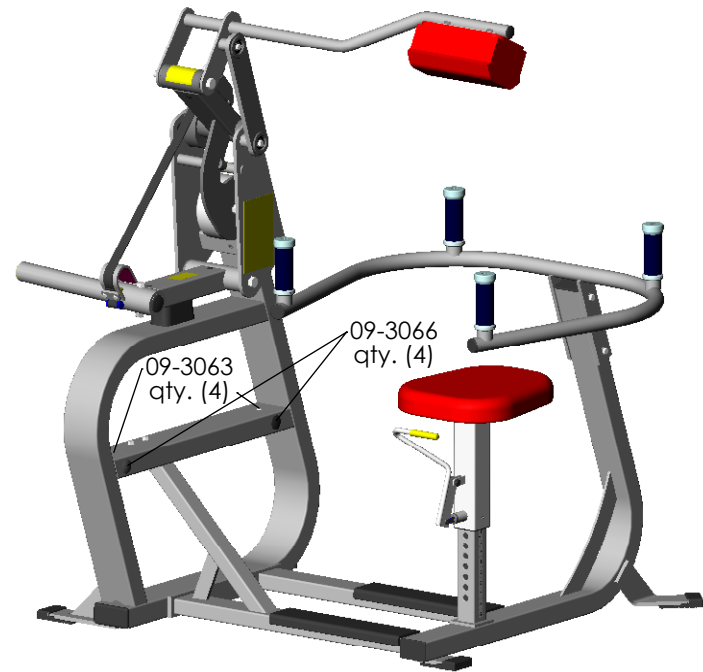


**Last Rev Date: 01/08/10**

**P3FWN  
XLOAD  
FOUR-WAY NECK  
Parts Diagram**

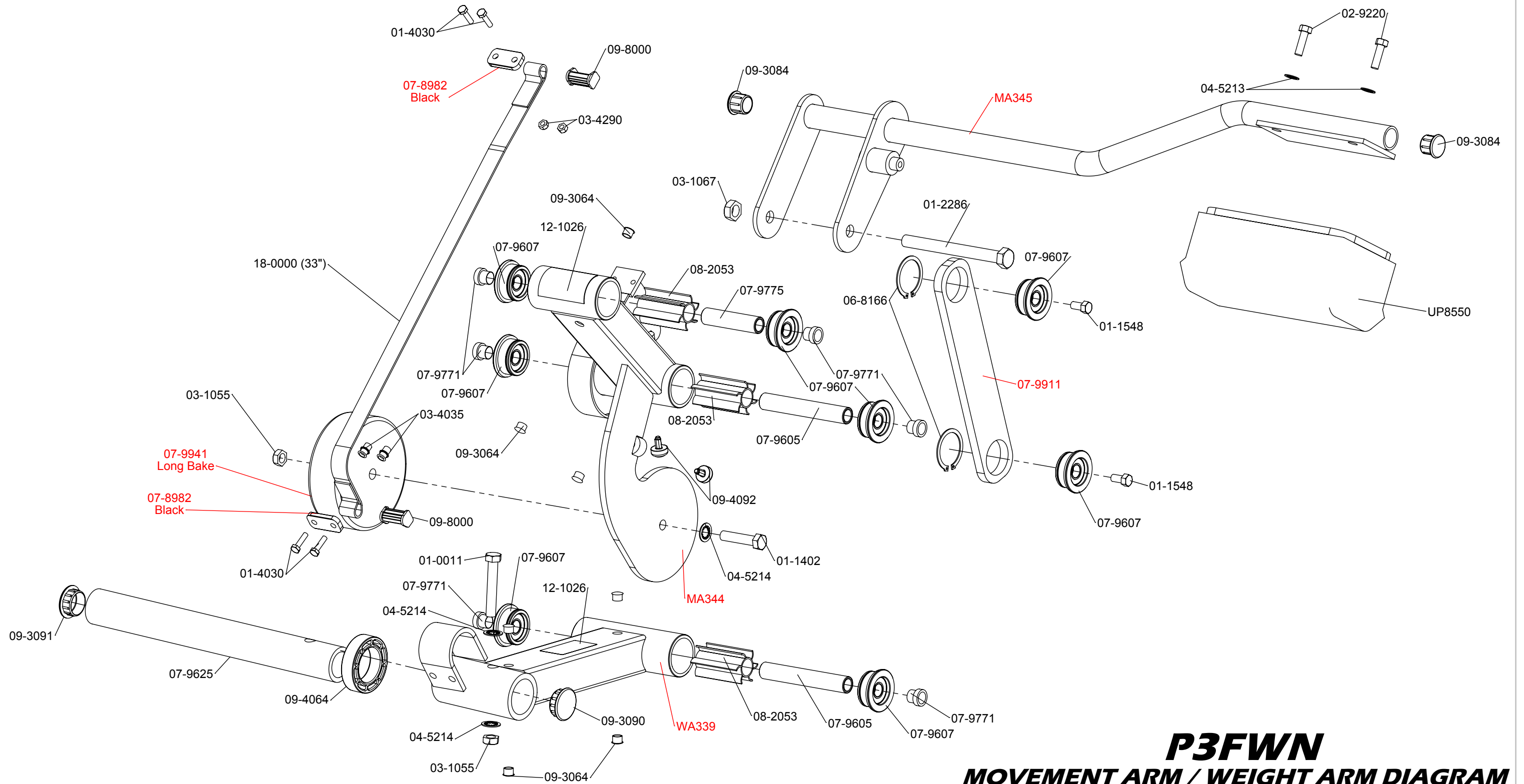
**RED: PAINTED ITEMS**

P3FWN without  
Weight Storage



**Date: 01/08/10**

**P3FWN  
FOUR-WAY NECK  
Nautilus Parts Diagram**



**Last Rev Date: 01/08/10**

**P3FWN**  
**MOVEMENT ARM / WEIGHT ARM DIAGRAM**  
**NAUTILUS**  
**Parts Diagram**