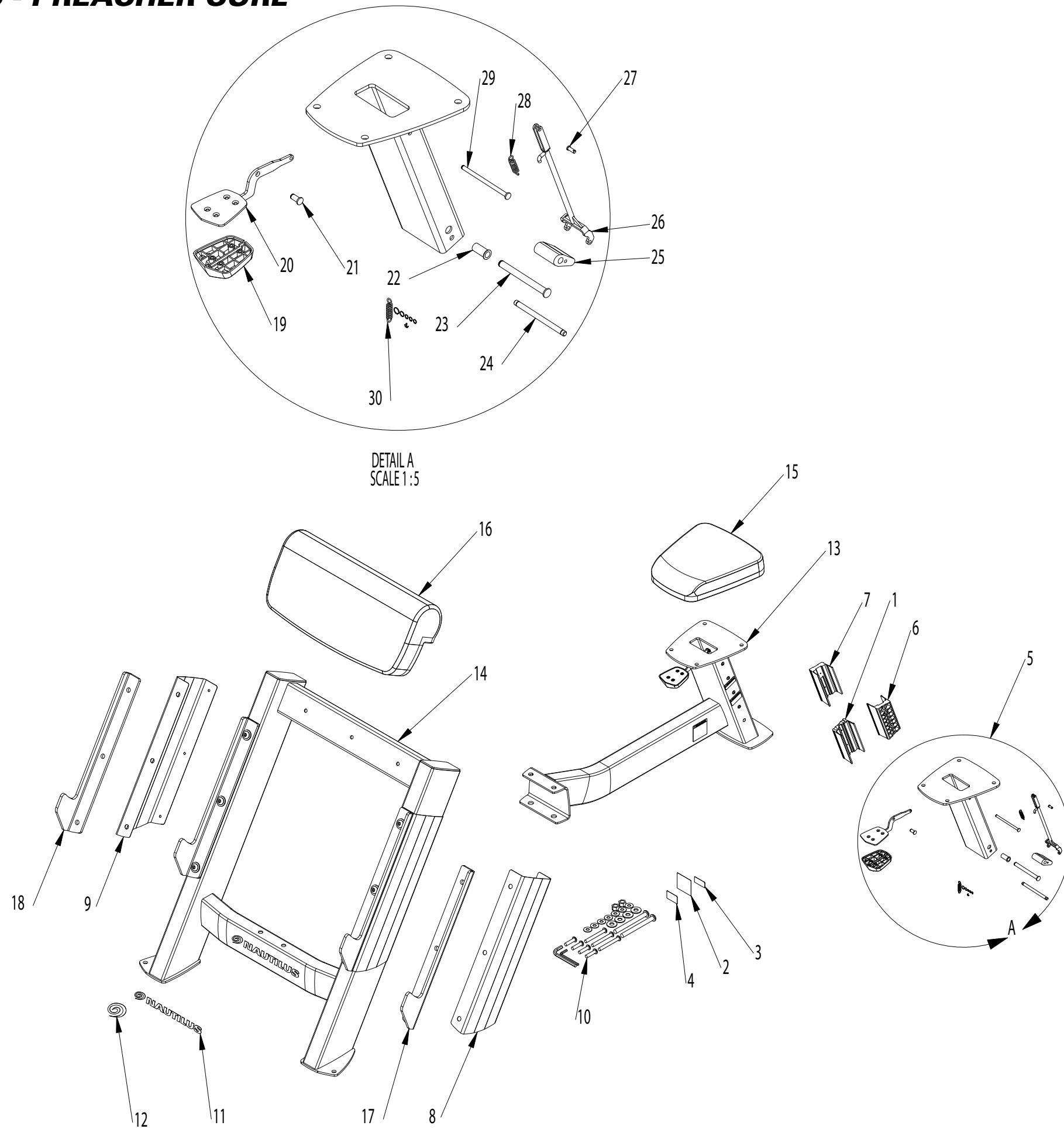


F3PC - PREACHER CURL



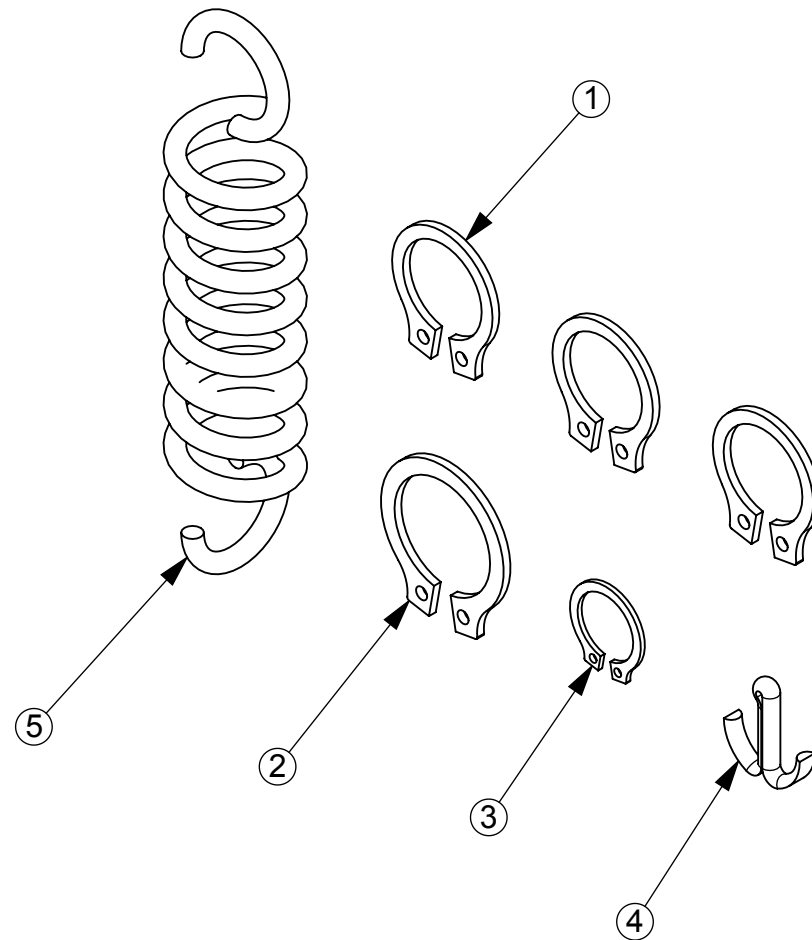
ITEM	DESCRIPTION	PART NO.
1	SLIDER, LOWER	001-4730
2	GENERAL WARNING LABEL	001-4222
3	WARNING LABEL	001-4225
4	WARNING LABEL #3	001-4215
5	ASSEMBLY, SEAT SLIDER	001-5353
6	SLIDE BUSHING, RIGHT	001-3989
7	SLIDE BUSHING, LEFT	001-3990
8	SCUFF GUARD, LEFT	001-4030
9	SCUFF GUARD, RIGHT	001-4031
10	HARDWARE CARD - F3PC	001-4067
11	HORIZONTAL DECAL	001-4008
12	DECAL, CAM	001-4009
13	REAR FRAME ASSEMBLY	002-3404
14	F3PC, FRONT FRAME ASSY	002-3404
15	ASSEMBLY, PREACHER SEAT	001-5355
16	ARM PAD, ASSEMBLY	001-3951
17	F3PC, J-HOOK RIGHT	001-5428
18	F3PC, LEFT J-HOOK	001-5427
19	HANDLE MOLD ASSEMBLY	001-3975
20	WDMT, PC SEAT LEVER	001-4726
21	PIN, SEAT ADJUSTMENT LEVER PIVOT	001-5285
22	LONG BUSHING	001-5275
23	LOCK PIN	001-5276
24	SHAFT, SEAT STOP	001-3991
25	ADJUST STOP LINK	001-5273
26	WELDMENT, ADJ. STOP LEVER	001-5292
27	PIN, SEAT ADJUSTMENT LEVER PIVOT	001-5287
28	SPRING SEAT ADJUSTMENT	000-1790
29	SPRING PIN	001-5335
30	BAG, SMALL REPLACEMENT PARTS, SEAT SLIDER	000-1493

000-1493

ECO NUMBER		REVISION	REVISIONS	APPROVED	DATE
			REV DESCRIPTION		

NOTES:

1. **WARRANTY ITEM: PKG. (1) ASSY / POLY-BAG**



ITEM	QTY.	PART NO.	DESCRIPTION
1	3	902-3928	RING-SNAP-EXT 8mm
2	1	902-3931	RING-SNAP-EXT 10mm
3	1	902-3923	RING-SNAP-EXT 6mm
4	1	001-4724	COTTER PIN, 1.50 DIA
5	1	000-1790	SPRING, SEAT ADJUSTMENT

NAUTILUS
 NAUTILUS, INC.
 16400 SE NAUTILUS DRIVE, VANCOUVER, WA 98683

DESIGNED	S. MCCARTY	TITLE	BAG, SM REPL PARTS, SEAT ADJ	
DRAWN	S. MCCARTY	SIZE	PART NO.	REV.
DATE	04/16/2007	B	000-1493	01
<small>ALL APPLICABLE NAUTILUS STANDARDS AND SPECIFICATIONS APPLY.</small>				