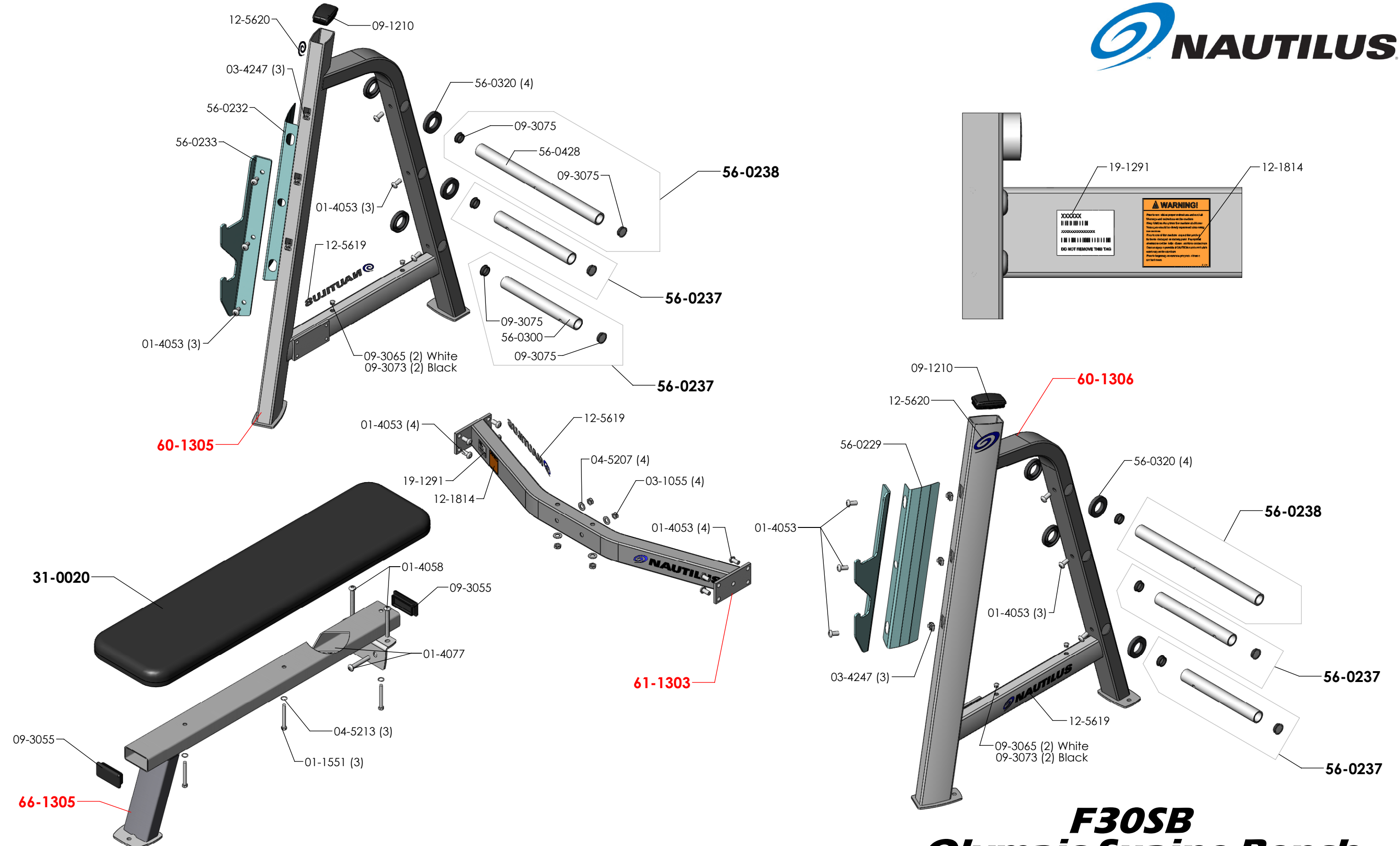




ITEM NO.	PART NUMBER	QTY.	DESCRIPTION
1	60-1306	1	BF LEFT ASSY
2	60-1305	1	BF RIGHT ASSY
3	66-1305	1	SEAT FRAME F3OSB
4	61-1303	1	CROSSMEMBER F3
5	03-4247	6	Cage Nut
6	04-5213	3	3/8" Internal Loc Washer
7	01-4053	20	BUTTON HEAD SOCKET CAP SCREW, 1/2" -13 x 1" BRIGHT ZINC
8	01-4077	2	BUTTON HEAD SOCKET CAP SCREW, 1/2" -13 x 3" BRIGHT ZINC
9	01-4058	2	BUTTON HEAD SOCKET CAP SCREW, 1/2" -13 x 4" - BRIGHT ZINC
10	04-5207	4	WASHER, FLAT, 1/2" SAE
11	03-1055	4	1/2" Lock Nut
12	09-1210	2	Plug Frame 2 X 4 "ONE"
13	09-3055	2	2 X 4 11 GA FRAME PLUG
14	12-1814	1	WARNING LABEL, GENERAL WARNING LABEL
15	12-5620	2	NLS Logo 3" Decal
16	12-5619	4	TRANSFER DECAL NAUTILUS X-SMALL BLACK
17	19-1291	1	SERIAL NO. DECAL
18	56-0320	8	BUMPER, WEIGHT HORN
19	56-0229	1	BRACKET SHIELD GUARD, RIGHT
20	56-0232	1	BRACKET, SHIELD GUARD, LEFT
21	56-0233	1	BAR CATCH, PLATE, RIGHT
22	56-0231	1	BAR CATCH, PLATE, LEFT
23	56-0238	2	ASSY, HORN TUBE, LONG
24	56-0237	4	WEIGHT HORN ASSEMBLY SHORT
25	31-0020	1	F3 Bench Pad
26	01-1551	3	3/8" -16 UNC x 3/4" Bolt
27	91-999	1	Paint (1.5 lbs)

Last Rev Date: 3/11/10

**F3OSB
Olympic Supine Bench
Parts Diagram**



Last Rev Date: 3/11/10

**F30SB
Olympic Supine Bench
Parts Diagram**