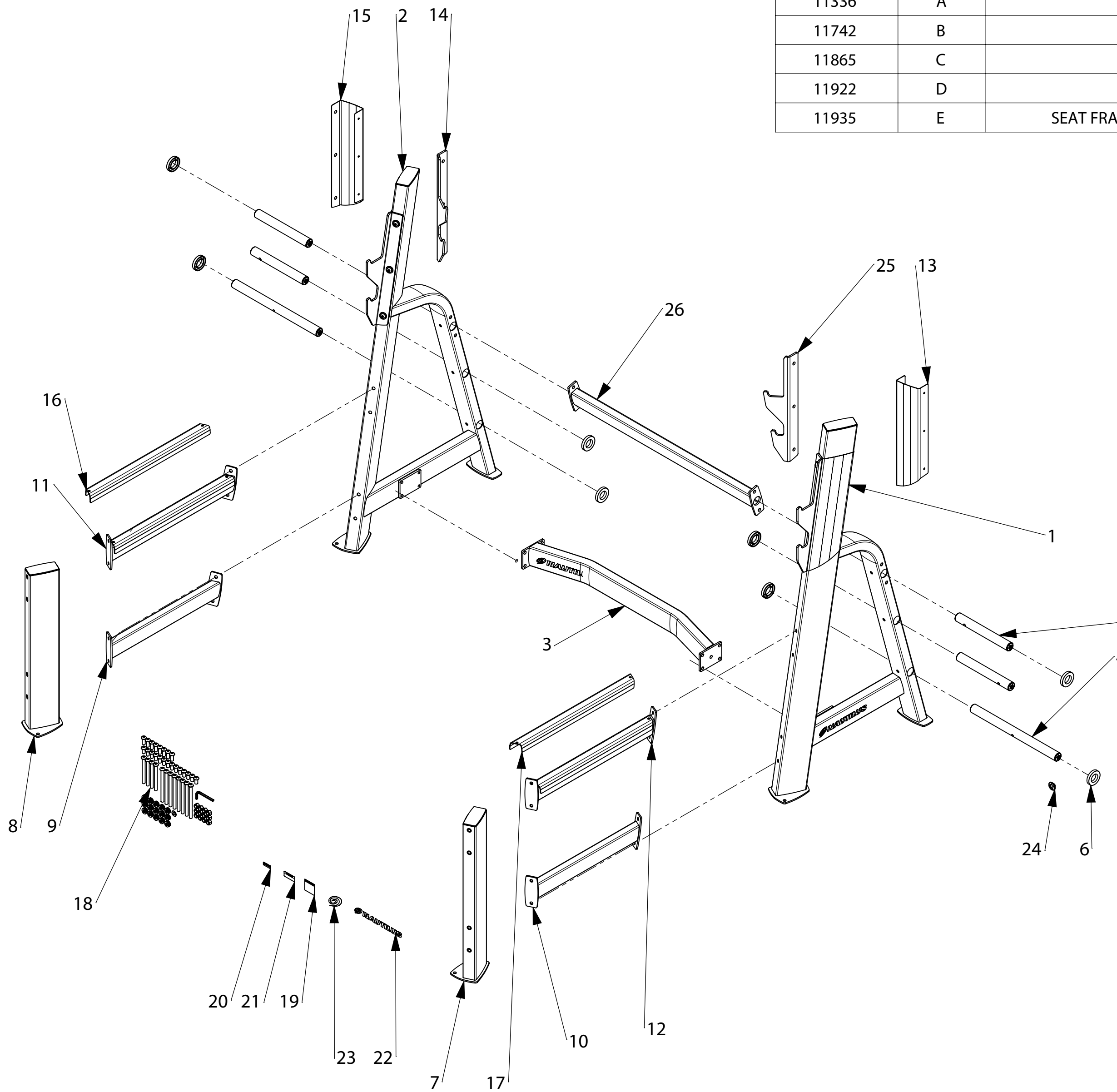


001-3903

REVISIONS				
ECO NUMBER	REVISION	REV DESCRIPTION	APPROVED	DATE
11336	A	DRAWING RELEASE	EDG	4/3/2007
11742	B	WARRANTY BOM UPDATE	EDG	5/29/2007
11865	C	UPDATE PARTS AND ASSYS	EDG	7/27/2007
11922	D	HARDWARE CARD ADDED TO WBOM	EDG	9/5/2007
11935	E	SEAT FRAME - CROSS MEMBER CONNECTION UPDATE	EDG	9/24/2007



ITEM	WARRANTY/QTY.	PART NO.	DESCRIPTION
1	1	001-4251	ASSY, RIGHT UPRIGHT, SQUAT RACK
2	1	001-4251	ASSY, LEFT UPRIGHT, SQUAT RACK
3	1	001-4254	WDMT, LOWER CROSS MEMBER, F3SR
4	2	000-0844	ASSY, HORN TUBE, LONG
5	4	000-0845	ASSY, HORN TUBE, SHORT
6	8	000-0834	BUMPER, WEIGHT HORN
7	1	001-4254	ASSY., FRONT UPRIGHT, RIGHT
8	1	001-4254	WDMT, FRONT UPRIGHT, LEFT
9	1	001-3894	WDMT, SPOTTER, LEFT
10	1	001-3896	WDMT, SPOTTER, RIGHT
11	1	001-4127	LEFT BAILOUT ASSEMBLY
12	1	001-4128	RIGHT BAILOUT ASSEMBLY
13	1	001-4032	SCUFF GUARD, RIGHT
14	1	001-4399	BAR CATCH, PLATE, LEFT
15	1	001-4033	SCUFF GUARD, LEFT
16	1	001-3904	PLATE, TUBE GUARD
17	1	001-3909	PLATE, TUBE GUARD, RIGHT
18	1	001-4866	SR HDWR CARD
19	1	001-4222	WARNING LABEL, GENERAL WARNING LABEL
20	1	001-4229	WARNING LABEL
21	1	001-4217	WARNING LABEL #5
22	1	001-4008	HORIZONTAL DECAL
23	1	001-4009	DECAL, CAM
24	1	000-0850	CAP, TUBE
25	1	001-4398	BAR CATCH, PLATE, RIGHT
26	1	001-4254	WDMT, REAR CROSSMEMBER

NOTE: F3 units are available in Nautilus Silver and White. If you require a painted part for replacement, please add a "-S" (for Silver example: 001-4229-S) to the end of the part number or a "-W" (for White example: 001-4229-W).

**NAUTILUS**  
 NAUTILUS, INC.  
 16400 SE NAUTILUS DRIVE, VANCOUVER, WA 98683  
 CONTACT

DESIGNED J.Harrach  
 DRAWN S.MCCARTY  
 DATE 01/19/2007  
 TITLE: F3SR - SQUAT RACK  
 SIZE C PART NO. 001-3903 REV. E  
 ALL APPLICABLE NAUTILUS STANDARDS AND SPECIFICATIONS APPLY.